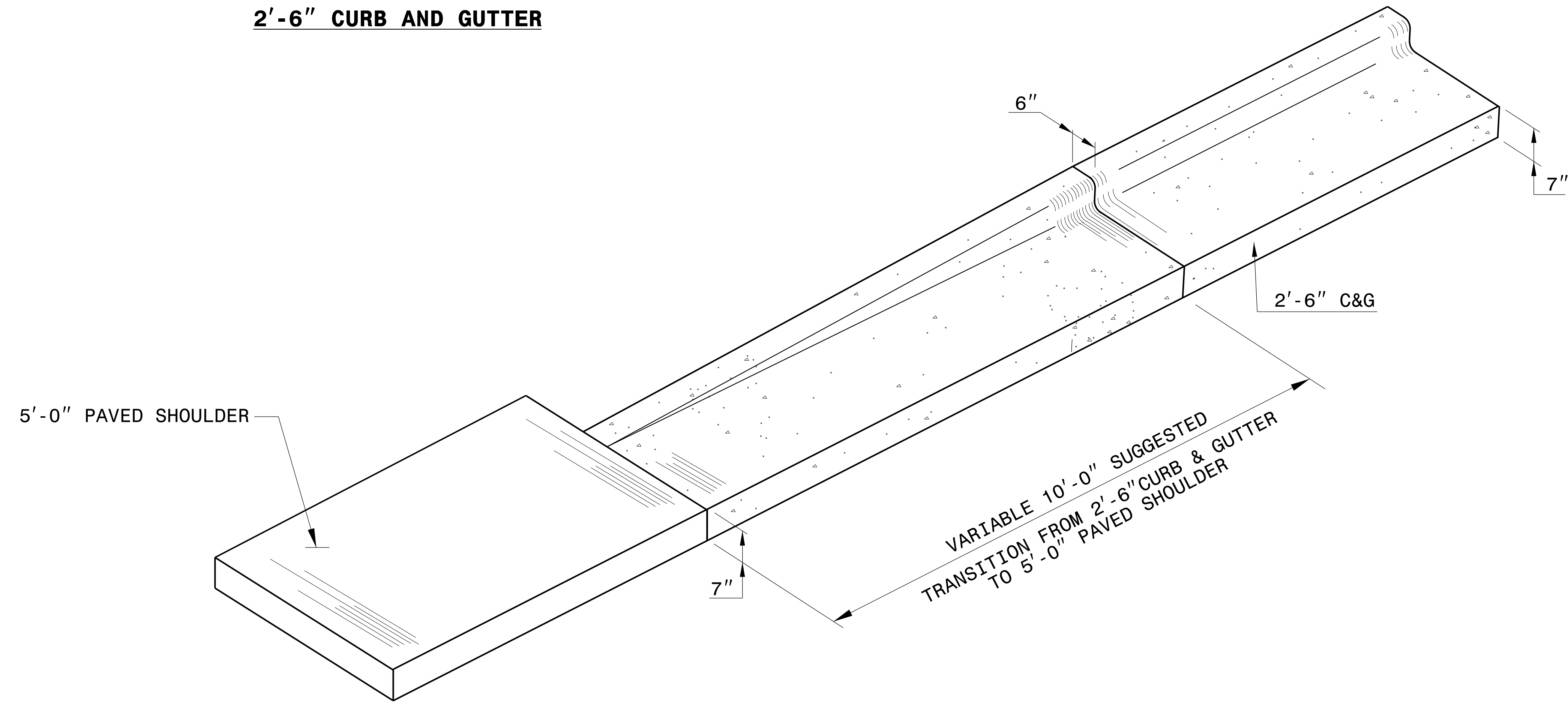


2'-6" CURB AND GUTTER

***NOTE: SEE STD. DWG. 846.01 FOR GENERAL NOTES**



ISOMETRIC VIEW OF TRANSITION



DOCUMENT NOT CONSIDERED FINAL UNLESS ALL SIGNATURES COMPLETED

CONTRACT STANDARDS AND DEVELOPMENT UNIT
Office 919-707-6950 FAX 919-250-4119

DETAIL OF 10' TRANSITION FROM 2'-6" CURB & GUTTER TO 5'-0" PAVED SHOULDER

ORIGINAL BY: _____	DATE: _____
MODIFIED BY: rnbritt	DATE: 04-13-2016
CHECKED BY: _____	DATE: _____
FILE SPEC: details/nbritt/english/misc/c&g transition sections.dgn	

26-JUN-2019 07:46
 S:\Contracts\Special Details\english\misc\c&g transition sections.dgn
 .jhoverton AT USD-292595